

# **liftsmart**

## **LS-RT25-35**

Two-Wheel Drive  
Rough Terrain Forklift

2,500 - 3,500 kg



# **13 22 54**

[www.adaptalift.com.au](http://www.adaptalift.com.au)



# LS-RT25-35

Two-Wheel Drive Rough Terrain Forklift | 2,500 - 3,500 kg

Liftsmart's 2.5-3.5T compact rough terrain forklifts with a two-wheel drive system, adopts Cummins and Yanmar diesel engines for superior performance, economy and longevity.

**Simple  
Solid  
Smart**



## Reliability

- ✓ Suspension hydraulic transmission with two forward gears and one reverse providing faster speed and greater gradeability, wide-base and deep tread tyres, enhanced brakes and bearings and automatic locking differential and enhanced steering axle assembly provide ultimate traction during inclement weather and operating over rough surfaces
- ✓ Dual air filters with extra capacity combined with a radiator with serpentine wave provides optimised heat dissipation to keep engines cool and operating reliably even in heavy duty operations
- ✓ Oscillating steer axles allow individual wheels to drive over obstacles whilst keeping the truck and load level
- ✓ High ground clearance offers greater manoeuvrability keeps the truck moving across the roughest terrain
- ✓ The new vehicle controller integrates all electrical components providing excellent durability for temperature, water, vibration and oil filters during the most demanding operations

## Environmental Friendliness

- ✓ Each model employs a specially developed engine for the optimum balance of power and superior environmental performance. All models are compliant with EU III and EAP III control regulations
- ✓ The environmentally friendly build materials include non-asbestos brake shoes and a new type of sealing gasket to improve environmental safety and to reduce noise levels

## Productivity

- ✓ The new dynamic load sensing hydraulic steering system reduces the loss of hydraulic power and improves energy efficiency

## Easy Maintenance

- ✓ Cover panels can be easily lifted to check brake fluid levels
- ✓ Two-piece floorboards are easily lifted and removed for access to the units powertrain
- ✓ Radiator cover fasteners can be easily hand turned to enable quick inspections and servicing

## Comfortable Operation

- ✓ Throughout the units development operator comfort and ease of operation were considered paramount, improvements to increase productivity and reduce noise include:
  - Lower vibration levels
  - Engine dampener compound installed
  - Full floating seat and cabin
- ✓ Extra foot space is provided to reduce operator fatigue, whilst non-slip steps make entering and exiting the unit easier and safer
- ✓ Newly design mast provides greater forward visibility due to the larger distance between the inside mast





# LS-RT25-35

Two-Wheel Drive Rough Terrain Forklift | 2,500 - 3,500 kg



## Standard Specification

- ✓ Suspended transmission
- ✓ Overhead guard
- ✓ Suspension seat
- ✓ Return oil filter
- ✓ Large capacity aluminium radiator
- ✓ Air filter
- ✓ Warning lamp
- ✓ Cover for tilt cylinder
- ✓ Reversing grip assist
- ✓ Wide fork carriage
- ✓ Wide load backrest
- ✓ LED work lights
- ✓ L/R mirrors
- ✓ Operator presence system with seatbelt sequencing
- ✓ Side-shift

## Options

- ✓ Full cabin with air-conditioning and heater
- ✓ Front window
- ✓ Custom paint job
- ✓ Triplex wide view free-lift mast



New LED lights provide superior and longer illumination whilst reducing energy consumption



Optimised structure design offer improved visibility and easy entry into pallets



The newly designed steering wheel, braking system and easy to use levers provide complete operator handling control



Quick easy to open hooks provide access to the engine compartment



Large and spacious cab has left and right grab handles with wide openings for easy access

# LS-RT25-35

Two-Wheel Drive Rough Terrain Forklift | 2,500 - 3,500 kg

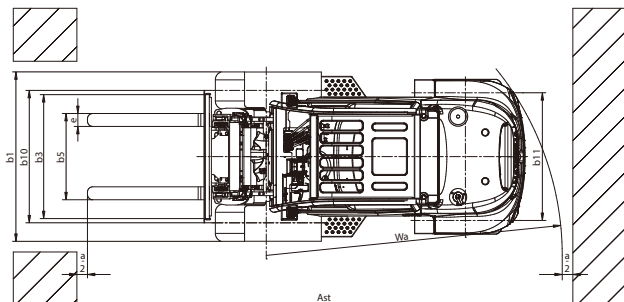
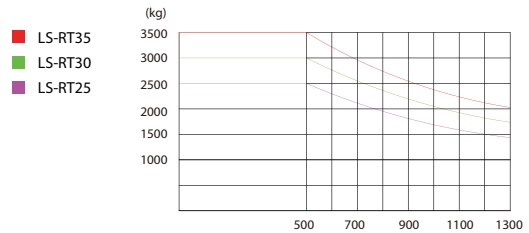
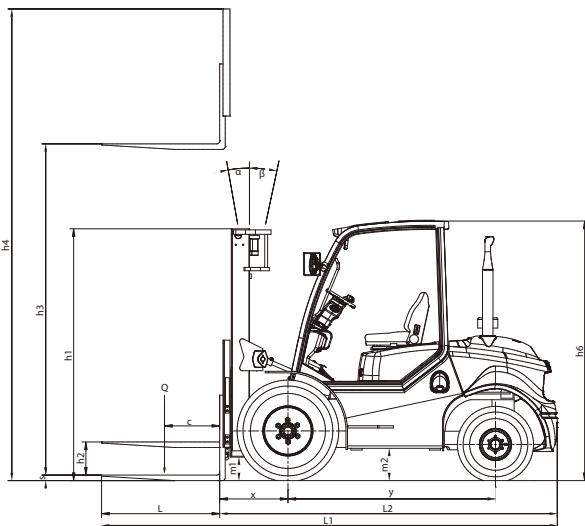
## Specification

			LIFTSMART			
			LS-RT25	LS-RT30	LS-RT35	
Distinguishing mark	1.1	Manufacturer				
	1.2	Manufacturer's type designation	LS-RT25	LS-RT30	LS-RT35	
	1.3	Drive: electric (battery or mains), diesel, petrol, fuel gas	Diesel	Diesel	Diesel	
	1.4	Operator type	Seated	Seated	Seated	
	1.5	Rated capacity/rated load	Q (kg)	2500	3000	3500
	1.6	Load centre distance	c (mm)	500	500	500
	1.8	Load distance, centre of drive axle to fork	x (mm)	585	600	600
	1.9	Wheelbase	y (mm)	1880	1880	1880
	Weight	2.1	Service Weight	kg	4670	5120
2.2		Axle loading, laden front/rear	kg	6050/1120	7080/1040	7800/1080
2.3		Axle loading, unladen front/rear	kg	2010/2660	2300/2820	2280/3100
Tyres, chassis	3.1	Tyres		Pneumatic	Pneumatic	Pneumatic
	3.2	Tyre size, front		12-16.5-14PR	14-17.5-14PR	14-17.5-14PR
	3.3	Tyre size, rear		27x10-12-12PR	27x10-12-12PR	27x10-12-12PR
	3.5	Wheels, number front / rear (x = driven wheels)		2x/2	2x/2	2x/2
	3.6	Tread, front	b <sub>10</sub> (mm)	1250	1250	1250
	3.7	Tread, rear	b <sub>11</sub> (mm)	1200	1200	1200
	Dimensions	4.1	Tilt of mast/fork carriage forward/backward	$\alpha/\beta$ (°)	10/12	10/12
4.2		Height, mast lowered	h <sub>1</sub> (mm)	2215	2350	2350
4.3		Free lift	h <sub>2</sub> (mm)	140	145	145
4.4		Lift	h <sub>3</sub> (mm)	3000	3000	3000
4.5		Height, mast extended	h <sub>4</sub> (mm)	4122	4142	4142
4.7		Height of overhead guard (cabin)	h <sub>6</sub> (mm)	2390	2420	2420
		Height of lowered overhead guard (cabin)	h <sub>6</sub> (mm)	2240	2270	2270
4.19		Overall length	l <sub>1</sub> (mm)	4205	4220	4220
4.20		Length to face of forks	l <sub>2</sub> (mm)	2985	3000	3000
4.21		Overall width	b <sub>1</sub> (mm)	1557	1599	1599
4.22		Fork dimensions	s/e/l (mm)	40x122x1220	50x122x1220	50x122x1220
4.23		Fork carriage DIN 15 173 --- ISO 2328, class/type A,B		B	B	B
4.24		Fork-carriage width	b <sub>3</sub> (mm)	1150	1150	1150
4.25		Distance between fork-arms	b <sub>5</sub> (mm)	290-1150	290-1150	290-1150
4.31		Ground clearance, laden, below mast	m <sub>1</sub> (mm)	240	270	270
4.32		Ground clearance, centre of wheelbase	m <sub>2</sub> (mm)	270	300	300
4.34		Aisle width	A <sub>st</sub> (mm)	4885	4900	4900
4.35	Turning radius	W <sub>a</sub> (mm)	2900	2900	2900	
Performance data	5.1	Travel speed, laden/unladen	km/h	24/26	26/28	26/28
	5.2	Lift speed, laden/unladen	m/s	0.620/0.640	0.490/0.510	0.430/0.510
	5.3	Lowering speed, laden/unladen	m/s	0.500/0.440	0.500/0.450	0.500/0.450
	5.5	Drawbar pull, laden	N	21000	22000	23000
	5.7	Gradeability, laden	%	27	22	22
		Service brake		Hydraulic	Hydraulic	Hydraulic
		Parking brake		Mechanical	Mechanical	Mechanical
Electric engine	7.1	Engine manufacturer/type		YANMAR 4TNE98	YANMAR 4TNE98	YANMAR 4TNE98
	7.2	Engine power according to DIN ISO 1585	kw/r/min	42.1/2300	42.1/2300	42.1/2300
	7.3	Rated speed	N-m/r/min	196/1700	196/1700	196/1700
	7.4	Number of cylinders/displacement	(-)/(cm <sup>3</sup> )	4/3319	4/3319	4/3319
	7.10	Battery voltage/nominal capacity	V/Ah	12/90	12/90	12/90
Addition data	10.3	Hydraulic Tank - capacity (drain & refill)	litre	65	65	65
	10.4	Fuel tank capacity	litre	65	65	65

## 2.5-3.5t Mast: (Pneumatic Tyres)

Type	Model	Max.fork height	Overall height						Free lift				Front Overhang		Tilt range		Residual load capacity				
			Lowered (mm)		Extended				Without backrest (mm)		With backrest (mm)		(mm)		FWD	BWD	Load Center 500mm				
			mm	2.5t	3/3.5t	Without backrest (mm)		With backrest (mm)		2.5t	3/3.5t	2.5t	3/3.5t	2.5t	3/3.5t	2.5t	3/3.5t	°	°	ISO 22915-13	
						2.5t	3/3.5t	2.5t	3t												
Wide view mast	LS-RT25-35M300	3000	2215	2350	3782	3993	4122	4142	140	145	140	145	585	600	10	12	2500	3000			
	LS-RT25-35M330	3300	2365	2500	4082	4293	4422	4442	140	145	140	145	585	600	10	12	2500	3000			
	LS-RT25-35M350	3500	2465	2600	4282	4493	4622	4642	140	145	140	145	585	600	10	12	2500	2800			
	LS-RT25-35M370	3700	2615	2700	4482	4693	4822	4842	140	145	140	145	585	600	10	12	2500	2600			
	LS-RT25-35M400	4000	2815	2950	4782	4993	5122	5142	140	145	140	145	585	600	10	12	2100	2400			
Wide view full free triplex mast	LS-RT25-35N450	4500	3065	3200	5282	5493	5622	5642	140	145	140	145	585	600	10	12	1800	2000			
	LS-RT25-35N400	4000	2115	2300	4860	5025	5122	5269	1255	1275	933	970	495	618	10	12	2000	2300			
	LS-RT25-35N430	4300	2215	2400	5160	5325	5422	5569	1355	1375	1093	1070	603	618	10	12	1900	2100			
	LS-RT25-35N450	4500	2265	2450	5360	5525	5622	5769	1405	1425	1143	1120	603	618	10	12	1700	1900			
	LS-RT25-35N470	4700	2365	2550	5560	5725	5822	5969	1505	1525	1243	1170	603	618	10	12	1400	1500			
	LS-RT25-35N500	5000	2515	2700	5860	6025	6122	6269	1655	1675	1393	1270	603	618	6	6	1100	1200			
	LS-RT25-35N550	5500	2715	2900	6360	6525	6622	6769	1855	1875	1593	1420	603	618	6	6	800	900			
	LS-RT25-35N600	6000	2965	3150	6860	7025	7122	7269	2105	2125	1843	1670	603	618	6	6	600	700			

## Dimensions



## Branches

### VICTORIA

#### Melbourne - Springvale (Head Office)

📍 1574 Centre Rd  
Springvale, VIC, 3171  
☎ [03] 9547 8000

#### Melbourne - Truganina

📍 501 Robinsons Rd  
Truganina, VIC, 3029  
☎ [03] 9394 4000

### NEW SOUTH WALES

#### Sydney (State Office)

📍 219 Newton Rd  
Wetherill Park, NSW, 2164  
☎ [02] 8788 1777

#### Port Kembla

📍 20-26 Flinders Street  
Port Kembla, NSW, 2505  
☎ 13 22 54

### SOUTH AUSTRALIA

#### Adelaide (State Office)

📍 18-22 Churchill Rd. Nth.  
Dry Creek, SA, 5094  
☎ [08] 8360 3444

### TASMANIA

#### Tasmania

📍 87a Devonport Road  
Spreyton, TAS, 7310  
☎ [03] 6427 3966

### QUEENSLAND

#### Brisbane (State Office)

📍 11 Lombank Street  
Acacia Ridge, QLD, 4110  
☎ [07] 3373 5111

#### Rockhampton

📍 62 Glenmore Road  
Park Avenue, Rockhampton  
QLD 4700  
☎ [07] 4922 8874

#### Townsville

📍 39 Duckworth Street  
Garbutt, QLD, 4814  
☎ [07] 4778 2000

### WESTERN AUSTRALIA

#### Perth (State Office)

📍 Unit 1, 1-9 Kurnall Road  
Welshpool, WA, 6106  
☎ [08] 9352 9200

#### Karratha

📍 Lot 3873-Pemberton Road  
Karratha, WA, 6714  
☎ 13 22 54

## Service Centres

### VICTORIA

Bendigo  
Warrnambool  
Ballarat  
Shepparton  
Wodonga  
Mildura

### TASMANIA

Hobart  
Launceston  
Burnie

### NEW SOUTH WALES

Dubbo  
Griffith  
Tamworth  
Newcastle  
Wollongong  
Canberra  
Tumut  
Bathurst  
Wagga Wagga  
Albury  
Gosford  
Coffs Harbour

### SOUTH AUSTRALIA / NT

Riverland  
Darwin

### QUEENSLAND

Rockhampton  
Mackay  
Cairns  
Gladstone  
Townsville  
Mt Isa  
Toowoomba  
Gold Coast  
Sunshine Coast

### WESTERN AUSTRALIA

Bunbury  
Kalgoorlie  
Karratha

**Disclaimer:** The specifications set out in this brochure are based on current specifications of the units as made available to us from the manufacturer and are correct at the time of printing. Whilst every care has been taken to ensure that these specifications are correct, the specifications may change from time to time and no representation or warranty is made by Adapt-A-Lift Group that these specifications are correct at the time you place any order with us. You should not rely on this brochure as being the correct specifications of the unit(s) and should check with us to ensure that these specifications are correct at the time of placing any order with us.

**13 22 54**  
[www.adaptalift.com.au](http://www.adaptalift.com.au)